

SIGNAL COLOR SMOKE CARTRIDGE



Signal color smoke cartridge (SCSC) is activated with an accumulator battery or any other current source $I_{min}=0.5A$; $U=6...27V$.

SCSC are explosion-proof and don't ignite plastic, wood, polyurethane foam and other easy-flammable materials.

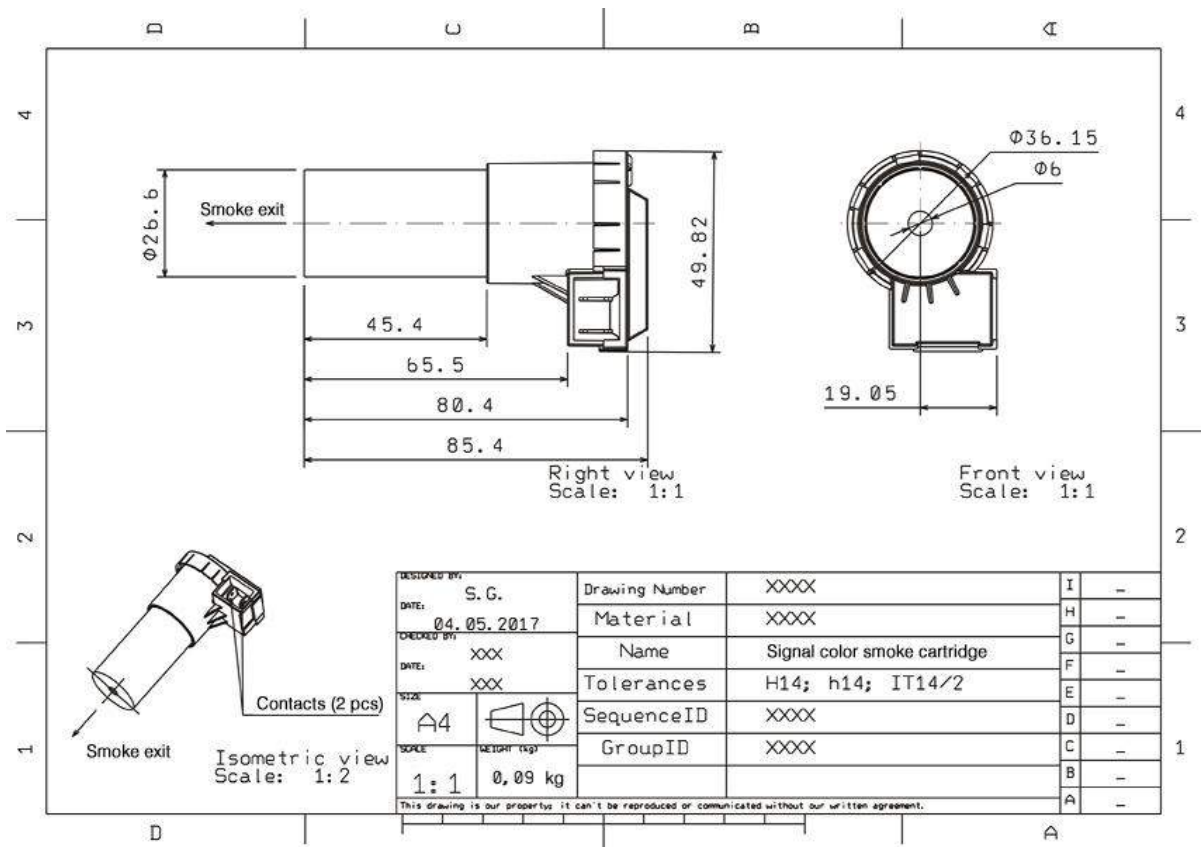
Set:

SCSC – 1pc;

Cable – 1 pc.

Technical characteristics:

-Dimensions, mm	50/39/83
-Weight, kg	0,09
-Time of smoke formation, sec	15
-Visible from the distance of, km	0,3
- Volume filled with smoke, m ³	90
- Smoke color	White/Red
- Lifespan, years	5



Jacks for SCSC with plastics cap should be purchased separately



SIGNAL COLOR SMOKE CARTRIDGE (with waterproof edge)



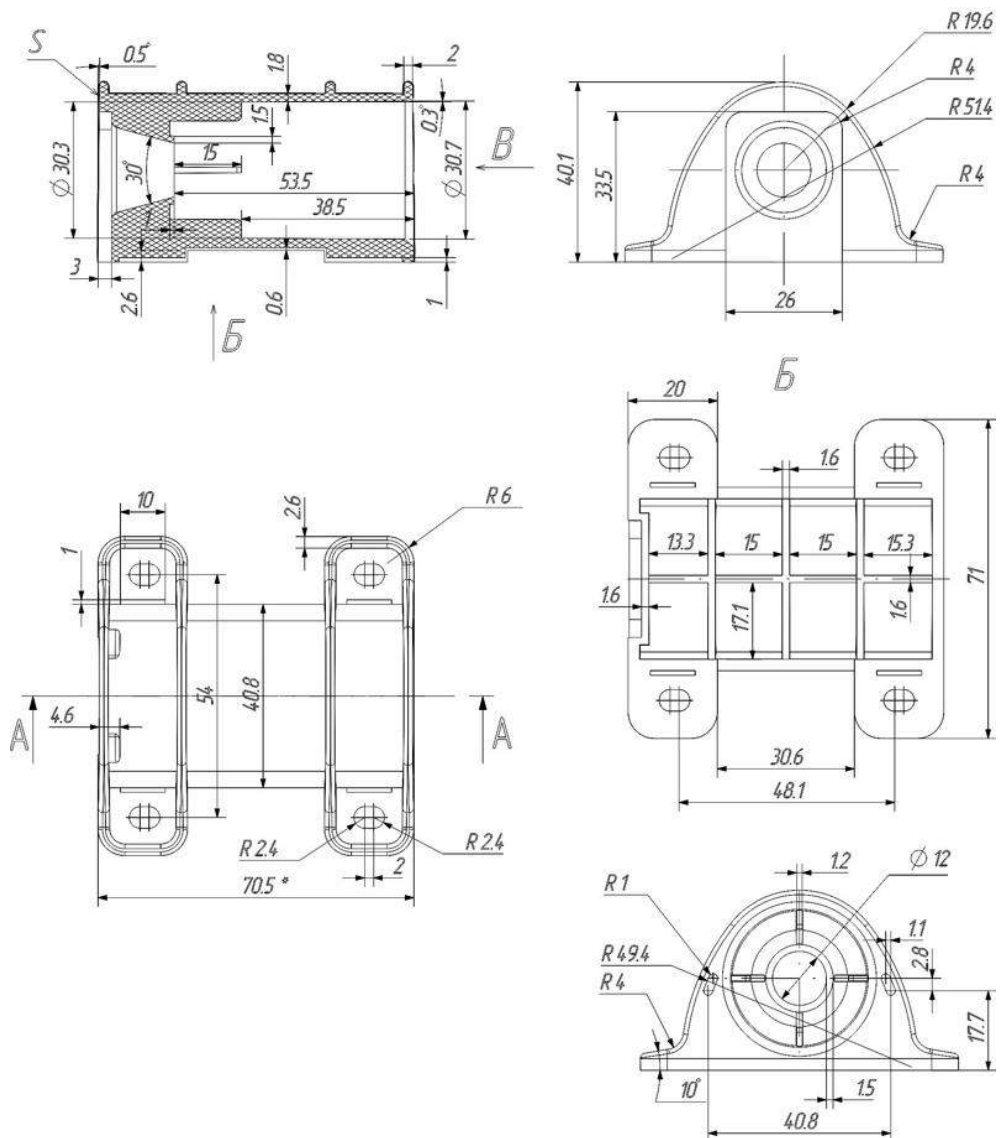
Used for installation with car alarm FAUST-11 as additional signal means.

Set:
SCSC with waterproof edge – 1pc.

Technical characteristics:

-Dimensions, mm	50/39/83
-Visible from the distance of, km	0,3
- Volume filled with smoke, m ³	90
- Smoke color	White/Red
- Lifespan, years	5

PLASTIC BRACKET



METALL BRACKET

Bracket for SCSC (metal) is made from aluminum. Cartridge is installed in the bracket with a special seal (it is recommended to use 1 rubber ring). The seal is included in standard kit.

Construction of the bracket has:

1. A clip for fixing the cartridge in the bracket.
2. Nozzle (aluminum) for fixing the bracket on the surfaces 22-37 mm thick.

The bracket is intended for stationary installation.

