

FLASHBANG CARTRIDGE

User`s manual

ALSHP.041114.022 UM

DESCRIPTION AND OPERATION

Flashbang cartridge (further “Cartridge”) is intended for affecting the offender psychically and physically (stunning, dazzling, disorientation) which, if necessary, can be followed with electroshock influence.

Conformation and operation

Flashbang cartridge is to be exploited with the remote-contact electroshock devices (ESD) according to their user`s manual. Cartridge is initiated due to the energy of high-voltage discharge between the ESD`s electrodes.

If applied correctly the cartridge is safe for the influenced object.

ATTENTION! DO NOT REPAIR. CANNOT BE DISASSEMBLED.

ATTENTION! FOLLOW PRECAUTIONARY MEASURES. WHEN LOADING/UNLOADING THE CARTRIDGE, AIM IT AWAY FROM YOURSELF.

ATTENTION! TURN THE SAFETY ON WHEN LOADING/UNLOADING THE CARTRIDGE.

DESCRIPTION AND OPERATION OF THE COMPONENTS

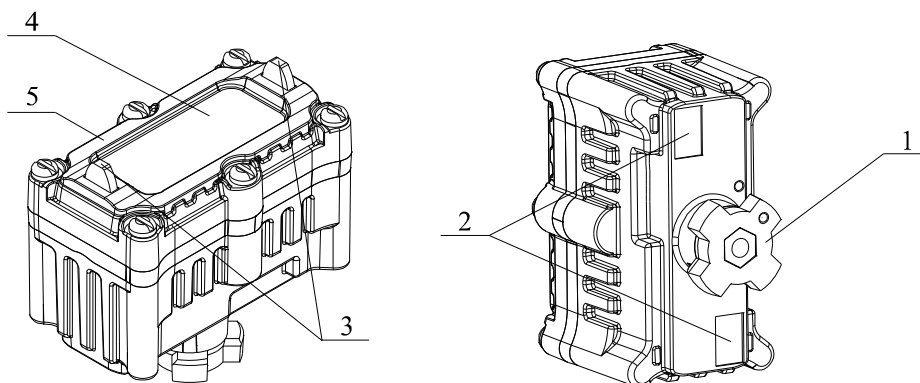
Technical characteristics

-Dimensions, mm	47(±2)x28(±2)x45 (±2)
-Weight, kg	0,04(±0,005)
-Distance between the electrodes	40,0 ₂
-Level of sound pressure, dB	120
-Guarantee storage time, years	3
-Resistance to influence: operates in range of temperatures from -20 °C to +50 °C and relative humidity up to 98% at the temperature +25 °C	

Construction

Flashbang cartridge is made in shock-resistant case and is composed of:

- bayonet mount (1), fixation element that allows setting it on remote-contact electroshock devices, executed as spring-supported pin. Construction of bayonet mount of flexible geometry allows setting the cartridge in the slot with rotational or translational motion;
- contact bases (2) that come in high voltage contact with the ESD`s electrodes for cartridge initiation;
- its own group of electrodes (3) that allow influencing the offender with high-voltage current after the cartridge is initiated;
- membrane (4) protected by the flange;
- flange (5) that fixes and pressurizes the membrane and allows directing the sound wave at an object, lowering the level of sound and light affection of the ESD operator.



APPLICATION

Loading

Preparing the cartridge for operation:

1. Turn the ESD safety ON.
2. Install the cartridge`s bayonet pin in the ESD slot according to the User`s manual for ESD.

ESD with an installed flashbang cartridge should be carried in protective case to avoid damaging the membrane.

Initiation

1. Aim working electrodes of the cartridge in the needed direction.

2. Turn the ESD safety OFF.
 3. Press the button of electroshock discharger activation.
- ATTENTION! MINIMAL DISTANCE OF SAFE APPLICATION – 1 METER.
4. After the cartridge is initiated, the ESD can be applied without unloading the cartridge. Apply the ESD according to its User`s manual.

Unloading

1. Turn the ESD safety ON.
2. Take the cartridge bayonet pin out of the ESD slot according to the User`s manual for ESD

SAFETY MEASURES

1. KEEP THE MEMBRANE INTACT DURING STORAGE AND EXPLOITATION.
2. MINIMAL DISTANCE OF SAFE APPLICATION – 1 METER.
3. WHEN LOADING/UNLOADING THE CARTRIDGE, AIM IT AWAY FROM YOURSELF.
4. TURN THE SAFETY ON WHEN LOADING/UNLOADING THE CARTRIDGE.
5. KEEP AWAY FROM FIRE.
6. KEEP OUT OF THE REACH OF CHILDREN.

TRANSPORTATION AND STORAGE

Transportation and storage are possible in conditions that comply with group 2 of GOST 15150, in range of temperatures from -20 °C to +50 °C –climatic factors.

Cartridges can be transported by all means of transport if the conditions in group “C” GOST 51908 –mechanic factors.

UTILIZATION

If the guarantee storage time is over or the user doesn`t need the cartridge, it should be utilized.

Flashbang cartridge can be sent to the manufacturer for utilization.

Cartridge can be utilized by the user:

1. Turn the ESD safety ON.
2. Install the cartridge`s bayonet pin on the ESD slot according to the User`s manual for ESD.
3. Aim the cartridge in the safe direction.
4. Turn the safety OFF.
5. Press the button of electroshock discharger activation.

DELIVERY SET

1. Flashbang cartridge ALSHP.041114.022 TU
2. User`s manual ALSHP.041114.022
3. Packaging

GUARANTEE

Manufacturer guarantees the accordance of the product to the set characteristics if the user follows the exploitation rules set in this User`s manual.

Guarantee storage time – 3 years.