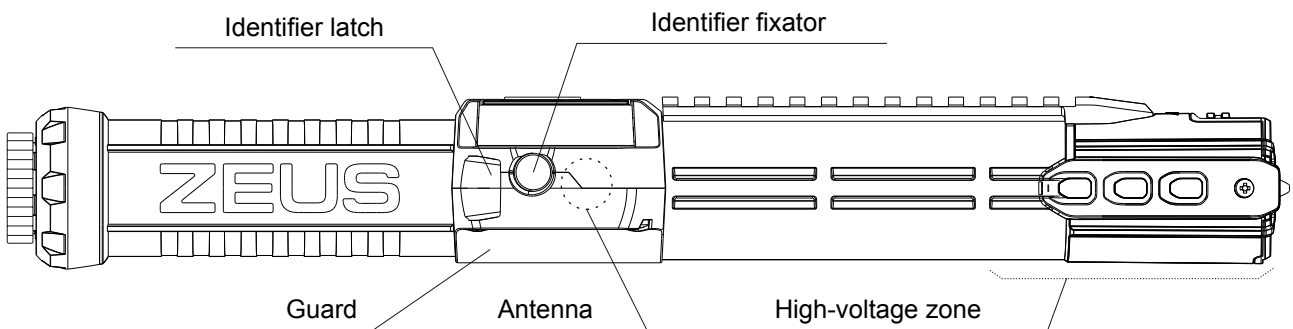
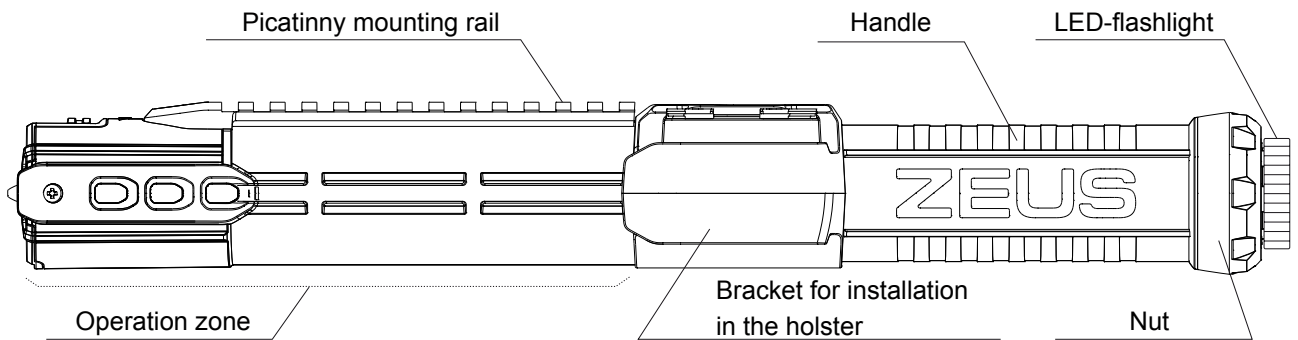
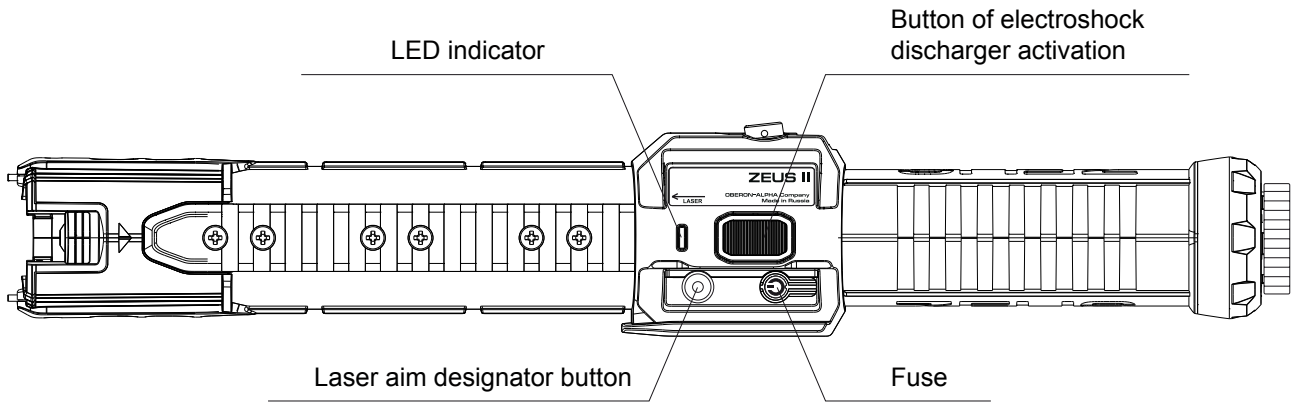




## ESD "ZEUS II"

---

remote-contact  
electroshock device



### PURPOSE

Electroshock device (ESD) "ZEUS" (ZEUS II) is a powerful remote-contact electric weapon, made for contact (electroshock) or remote (electroshock or psychophysical) professional application by policemen, employees of security services, etc, in accordance with job instructions. ESD "ZEUS" is a specialized device for control of offender's actions, that allows normalizing the situation in the shortest time possible.

- Individual defense against offenders and animal attacks.

### MODELS

ZEUS II is produced in three models:

- 1.ZEUS-L. Model with identification system (length 405mm).
- 2.ZEUS-M. Model with identification system (length 355mm).
- 3.ZEUS-S. Model without identification system (length 305mm).



### SPECIFICS OF BIOLOGICAL INFLUENCE



Electrical parameters of electroshock baton ZEUS are safe for an influenced object when applied according to user's manual, do not lead to lethal effect or irreversible pathological changes in the influenced object's body.

**NEURO-MUSCULAR INCAPACITATION.** ZEUS II influences an object with the impulses of high frequency that cause neuromuscular incapacitation. ZEUS II transformer system is executed from the high-precision materials and forms an effective contour with the influenced area. The contour transfers the defeat energy from the device to the

object as special impulses that block the nervous system. Neuromuscular incapacitation is effective against the aggressors with high pain tolerance level (drug abusers, persons under the stress, prepared and trained opponents who can withstand the influence with pain or can put up a fight despite the pain).

Electroshock baton ZEUS is made in shock-resistant case, its base for all elements is a pipe made from fibreglass.



## HANDLE

Accumulator battery and LED-flashlight are located in the rear side of the handle and are fixed with a nut. The nut is wider than the handle, which makes it more comfortable to hold the device.

## GUARD

Located in the front side of the handle. The guard has: safety fuse, laser switch, laser aiming module, LED indication, ergonomic silicone electroshock discharger activation button, identifier slot (for models ZEUS-L, ZEUS-M), identifier latch (for models ZEUS-L, ZEUS-M), antenna (inner reader-receiver) for registering master-card/identifier (for models ZEUS-L, ZEUS-M), pin slot (for model ZEUS-S), pin latch (for model ZEUS-S).

## HIGH-VOLTAGE ZONE

Includes:

- Cartridge lock is intended for fixation of Signal cartridges, Electric current transportation units, and another means of remote influence with bayonet locks (magazines of remote electric defeat, cartridges of remote electric defeat)
- Control electrodes are located in the inner cavity of the high-voltage zone and provide a blank discharge after the initiation of remote influence means.
- Working electrodes are intended for contact electrical influence on the suspect with electroshock discharger.
- Anti-grab electrodes are intended for a safe application of ZEUS II for an operator. Anti-grab electrodes are under voltage during the operation of electroshock discharger and hit an offender with electric discharge of high voltage if the attempt of snatching the device from the operator.
- Initiation electrodes are intended for initiation of remote influence means and the following transfer of the high-voltage electric impulses to the aim.



### PURPOSE

Flashbang cartridge is made for psychophysical influence (stunning, blinding) on an object, followed, if necessary, with electroshock influence.

Flashbang cartridge can be used with remote-contact electroshock devices according to their User's manual. Cartridges are initiated by high-voltage discharge between ESD's electrodes. Cartridge is safe for life and health on an influenced object, when used according to instructions.



### TECHNICAL CHARACTERISTICS

- Dimensions, mm	47x28x45
- Weight, kg	0,04
- Distance between the electrodes	40,0
- Resistance to influence: operates in range of temperatures from -20 °C to +50 °C and relative humidity up to 98% at the temperature +25 °C	



### SPECIFICS OF CONSTRUCTION

Flashbang cartridge is made in shock-resistant case and consists of:

- Bayonet mount, fixation element that allows setting it on remote-contact electroshock devices, executed as spring-supported pin. Construction of bayonet mount of flexible geometry allows setting the cartridge in the slot with rotational or translational motion;
- Contact bases that come in high voltage contact with the ESD's electrodes for cartridge initiation;
- Its own group of electrodes that allow influencing the offender with high-voltage current after the cartridge is initiated;
- Membrane protected by the flange;
- Flange that fixes and pressurizes the membrane and allows directing the sound wave at an object, lowering the level of sound and light affection of the ESD operator.

## PURPOSE

Remote cartridge (KD,KD+) is made for remote electroshock influence on an object.

Remote cartridge can be used with remote-contact electroshock devices according to their User's manual. Cartridges are initiated by high-voltage discharge between ESD's electrodes. Cartridge is safe for life and health on an influenced object, when used according to instructions.



## TECHNICAL CHARACTERISTICS

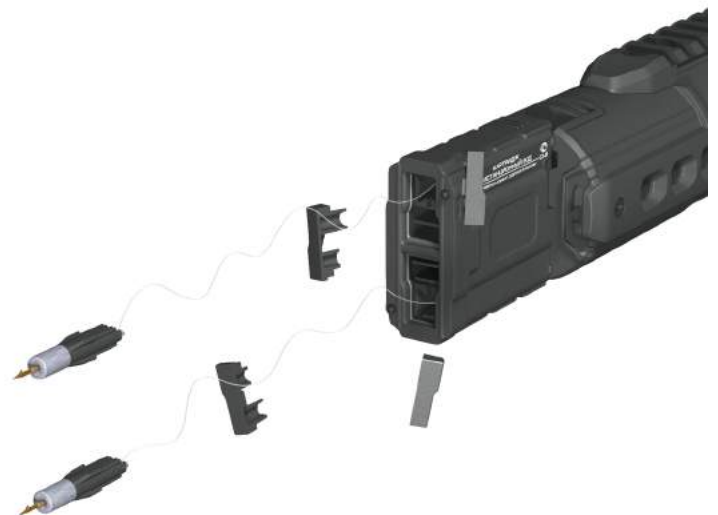
- Dimensions, mm	67,5 x 51 x 22,7
- Weight, kg	0,06
- Maximum distance of electroshock influence transportation, m	
model "KD"	5
model "KD+"	5 and following the aim for distance up to 8,5
- Durability, years	5
- Probe needle material	Steel with covering (gold)
- Climate conditions resistance: operates in the temperature range from -15C to +50 C and relative humidity up to 98% at the temperature +25C	

## SPECIFICS OF CONSTRUCTION

Remote cartridge is made in shock-resistant case and consists of:

- Bayonet mount, fixation element that allows setting it on remote-contact electroshock devices, executed as spring-supported pin. Construction of bayonet mount of flexible geometry allows setting the cartridge in the slot with rotational or translational motion;
- Contact bases that come in high voltage contact with the ESD's electrodes for cartridge initiation;
- Its own group of electrodes, that allow stunning an offender if the wires are ripped after the cartridge, installed on the ESD, is initiated;
- Stopper plugs that close booster channels and the wire, laid in individual sections;
- Aiming line (for some ESD models);
- Two probes are located in the boosting channels; center of gravity is moved forward to provide a stable fixation on the target for needles with hitches.

The probes are placed in the individual speeding up channels, have plastic feathering and a bracket for the connection of the probe with a wire.



## DEVICE "ZEUS II"

PARAMETER	ZEUS L/ ZEUS M/ ZEUS S
- Outcome voltage on the working electrodes, kV *	90-150/ 90-150/ 90-150
- Power of influence, W*	3-30/ 3-30/ 3-30
- Operational in temperature range from -15 °C to +50 °C and relative humidity up to 98% at +25 °C	
- Multiple impacts, vibration resistance GOST 30631 for a group M34, stiffness degree 11a	
- Weight, kg	0,72/ 0,65/ 0,58
- Dimensions Length-x-Height-x-Width, mm	405x64x53 / 355x64x53/ 305x64x53
- Distance between the working electrodes, mm	38/ 38/ 38
- Recommended duration of a single influence on an object, sec	3/ 3/ 3
- Recommended duration of a pause between single influences, sec	10/ 10/ 10
- Checking mode: cyclic. Discharge – not more than 1 sec. Pause – not less than 5 sec	
- Maximum allowed decrease of influence power, not more than, %	25/ 25/ 25
- Cycles of operation for a fully charged battery, not less than	80/ 80/ 80
- Supply element: removable rechargeable LiPOL accumulator battery 11.1V, 600 mAh	
- Cycles of battery charging, not less than	500/ 500/ 500
- Durability, years	3/ 3/ 3
- Identification system	Yes/ Yes/ No
- Flashlight ZS-L-9	Yes/ Yes/ Yes
- Operation resource of ZS-L-9 flashlight for a fully charged battery, not less than, hours	6/ 6/ 6
- Operation length of Picatinny mounting rail, mm	130/ 80/ -
- Laser aiming module	Yes/ Yes/ Yes
- Energy consumption in mode "Safety switch is off, electroshock discharger isn't on, flashlight and laser are off", not more than, mA	25/ 25/ 5

\*according to contract terms

## ZEUS II. INNOVATION

**ZEUS II INNOVATION. Identification system.** Electroshock weapon ZEUS II is a XXI century weapon. It uses Identification System that forbids unauthorized application of the weapon. ZEUS II is the only electroshock weapon that is supplied with this technology. Identification system excludes the possibility of unauthorized application of electric discharge and cartridge initiation.

**ZEUS II INNOVATION. Picatinny mounting rail.** Picatinny rail is used on various firearms and provides a standard mounting for attachments, such as aiming modules and tactical flashlights. Picatinny rail on ZEUS II allows broadening the functionality during the professional exploitation.



## STANDART DELIVERY SET (for models ZEUS-L, ZEUS-M)

- ZEUS II – 1pc;
- Holster– 1pc;
- Identifier with a hand belt – 1pc;
- Master-card – 1pc;
- Accumulator battery LIPOL (rechargeable) – 1pc;
- LED flashlight ZS-L-9 – 1pc;
- Charging device ZS-11.1-600 – 1pc;
- Operation manual (with a guarantee card and passport) – 1pc;
- Package – 1pc.

## STANDART DELIVERY SET (for model ZEUS-S)

- ZEUS II – 1pc;
- Holster – 1pc;
- Pin with a hand belt – 1pc;
- Accumulator battery LIPOL (rechargeable) – 1pc;
- LED flashlight ZS-L-9 – 1pc;
- Charging device ZS-11.1-600 – 1pc;
- Owner's manual (with a guarantee card and passport) – 1pc;
- Package – 1pc.

## ADDITIONAL DELIVERY SET

1. Cover "umbrella";
2. Car charger ZS-11.1-600-12-24V;
3. Glass breaker.





