



ELECTROSHOCK
DEVICE

KONVOY X1 / X2



ПОЛИЦИЯ



ИЦ



ELECTROSHOCK DEVICE KONVOY X1/X2

PURPOSE

Stungun KONVOY is a powerful contact electroshock weapon equipped with a built-in flashlight and providing maximum safe electrical characteristics for influencing biological objects with a series of high-voltage electric current discharges.

KONVOY is intended for professional official contact use by police officers and legal entities with special statutory tasks.

KONVOY is produced in the following models:

KONVOY X1: the model with a single-core converter.

KONVOY X2: the model with a dual-core converter. The dual-core converter technology makes it possible to generate the most efficient high-voltage pulses.

KONVOY is a special means to control the behavior of an offender, which makes it possible to stop the offense in a short time.

Electrical parameters of the stungun are safe for the life and health of the affected object, do not cause death or irreversible pathological changes in the body of the affected object, subject to the rules of operation and use.



ELECTROSHOCK DEVICE KONVOY X1/X2

TACTICAL DETAILS

Stungun KONVOY is a compact and lightweight taser for daily wear and use by police officers. The standard delivery set includes a plastic holster with a Tek-lok mount, which provides quick access to the device.

KONVOY is equipped with a built-in lithium polymer rechargeable battery and has a built-in charging module that allows charging the battery from regular chargers for household appliances (smartphones, tablets, etc.) with the Type-C jack.

The three-position safety switch of the stungun KONVOY has the safety turned on in the middle position:

- 1) Sliding the safety switch to the left takes the safety off. At the same time, the LED indicator displays the battery charge level.
- 2) Sliding the safety switch to the right turns on the built-in LED flashlight.



Non-lethal electroshock weapon

SPECIFICS OF OPERATION

Stungun KONVOY affects the nervous system of an object with high-voltage electrical impulses that cause the effect of **neuromuscular blockade**. Neuromuscular blockade blocks sensory and motor nerves, and is effective for offenders with a high pain threshold (drug users who are under severe stress, trained or trained opponents). The electrical effect of the stungun is capable of exercising control over the actions of the offender, depriving him of the opportunity to consciously interrupt the effect or resist during the use of weapons.

A strong stopping and disorienting effect is achieved depending on the area of impact, the time of exposure, as well as the condition of the attacker.

It is important to choose the correct area of impact of the stungun. It should be as close as possible to the attacker's central nervous system – should be applied to the torso. The most vulnerable points are the neck, groin, solar plexus, as well as the upper chest and upper thigh. The effect of the electroshock device is significantly enhanced if it is used in close contact between the combat electrodes and the affected area.

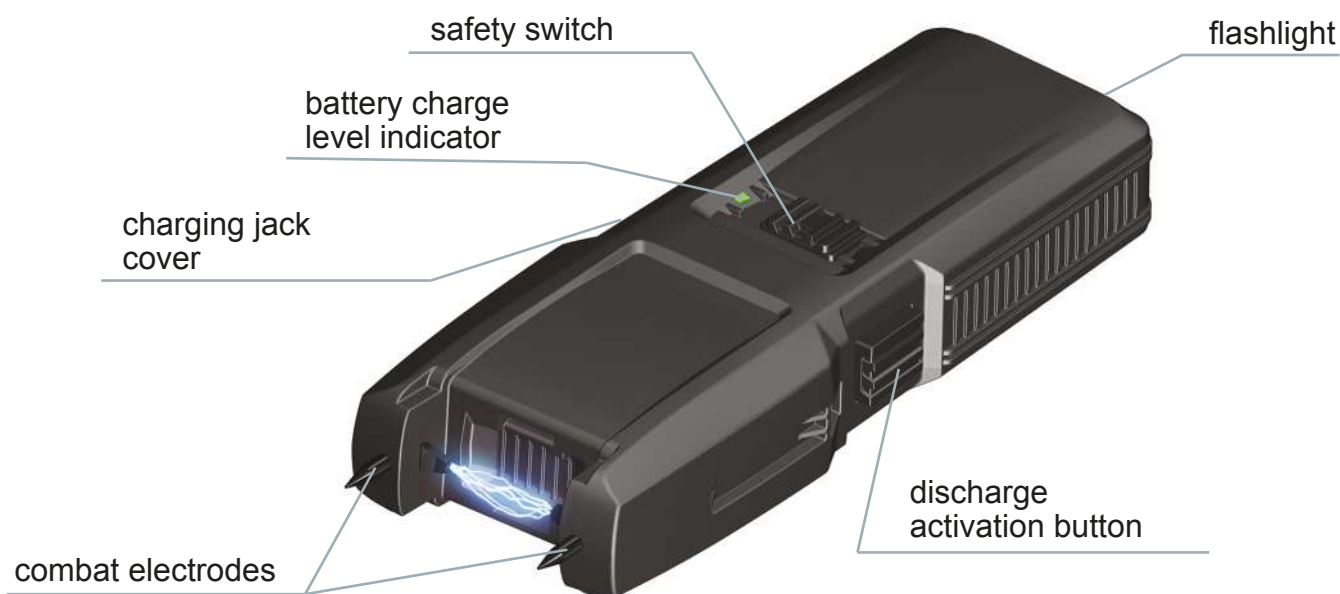


ELECTROSHOCK DEVICE KONVOY X1/X2

CONTACT USE

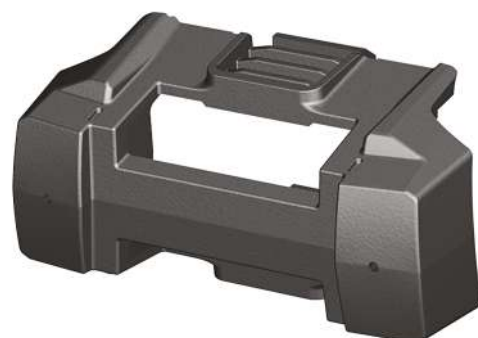
The combat electrodes have a pointed shape, which makes it possible to effectively use the electroshock discharge against an enemy in thick winter or leather clothing. Stungun KONVOY can be operated with an electrode cover. The cover does not interfere with the blank discharge. The electrode cover can be easily removed from the electrodes of the stungun.

It is recommended to use KONVOY without the protective electrode cover. The maximum effect on an object is achieved by penetrating of the skin in the affected area with combat electrodes, followed by the activation of an electroshock discharger. To ensure this capability, KONVOY has sharpened combat electrodes. The small size of the stungun allows to use it unexpectedly for an attacker, increasing the effectiveness of its deployment.



DELIVERY SET

- Electroshock device KONVOY – 1 pc.
- Charging cable – 1 pc.
- Plastic holster – 1 pc.
- Protective cover for electrodes – 1 pc.
- Wrist strap (reinforced) – 1 pc.
- User`s manual – 1 pc.
- Package – 1 pc.
- Product passport, warranty card – 1 pc.

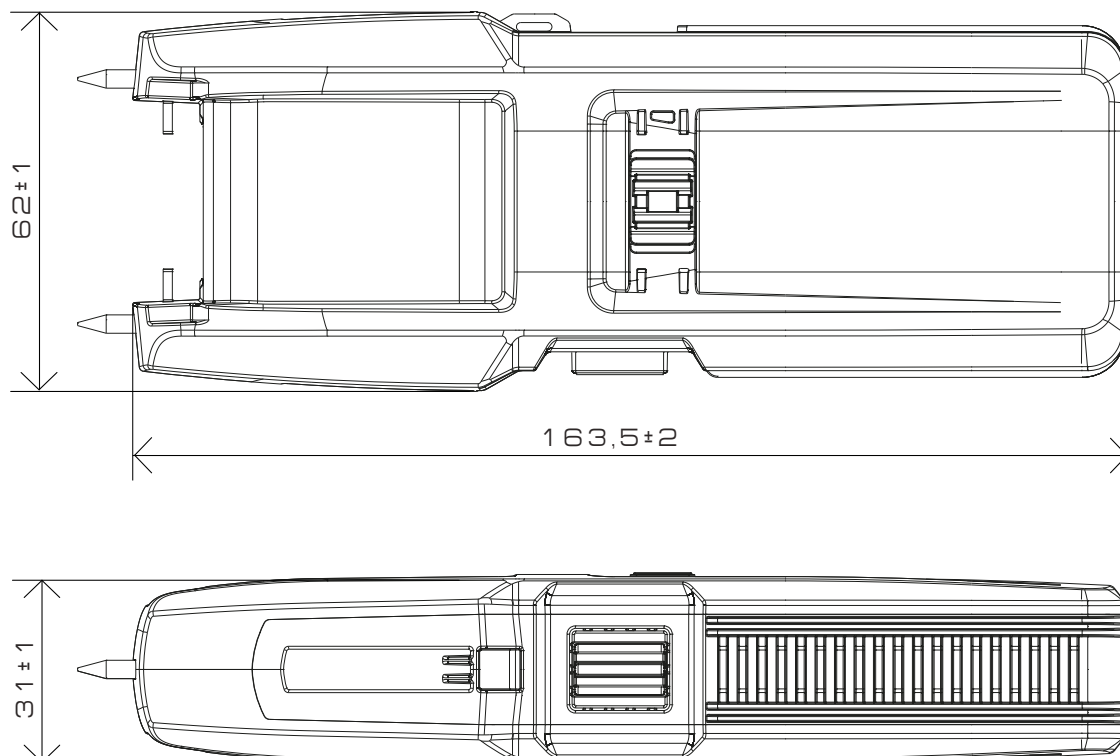


Non-lethal electroshock weapon

TECHNICAL CHARACTERISTICS

Output voltage on the working electrodes of the stungun, kV	In accordance with the contract
Power of influence, W, not less	In accordance with the contract
Weight, kg	0,28 ± 0,2
Dimensions, mm	163,5 x 62 x 31
Climate conditions: operates in temperature range from -20 °C to +50 °C and relative humidity up to 98% at +25 °C	
Length of combat electrodes, mm	9
Distance between the combat electrodes, mm	40
Operating cycles with a fully charged battery, not less than	80
Battery type: Rechargeable LiPOL accumulator battery 11,1V / 600 mAh	
Number of battery charge cycles, at least	500

TECHNICAL DRAWING





OBERON-ALPHA

ABOUT THE COMPANY

OBERON-ALPHA - is a Russian developer and manufacturer of non-lethal police tasers and civilian stun guns for self-defense.

OBERON-ALPHA company specializes in development, production and sale of class A special equipment for the police, as well as civilian electric self-defense weapons - powerful Class 1 electroshock devices.

OBERON-ALPHA offers:

- Development and production of Class A electroshock devices for the police and legal entities with special statutory tasks.
- Development of police special equipment (including custom-made).
- Development and production of civilian electroshock devices (stunguns).
- Development and installation of protective high-voltage barriers.
- Production of smoke cartridges (signal colour smoke cartridges).
- Engineering services for design of goods of any complexity according to the order.

**ZAO «OBERON-ALPHA»
Russia, Moscow**

<https://oberon-alpha.ru/>
<https://npp-oberon.ru/>