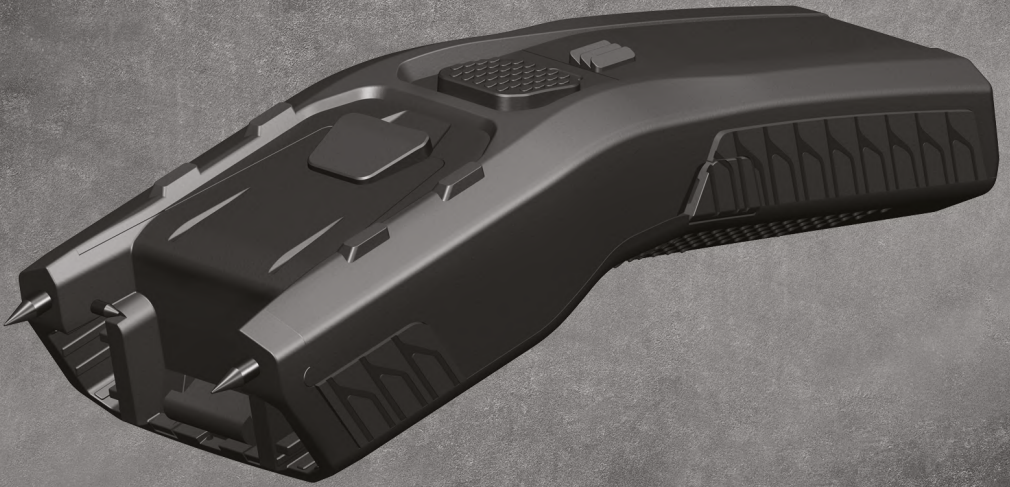




OBERON-ALPHA



STUN GUN AVATAR

remote-contact
electroshock device

ELECTROSHOCK DEVICE AVATAR DK.111

PURPOSE

Stun gun AVATAR DK.111 (model AVATAR 2.0) is a powerful single-shot remote-contact electroshock weapon for individual protection against attacks by offenders and animals. The non-lethal weapon impacts the attacker with a series of high-voltage discharges of electric current, as well as psychologically impacting an aggressive target. Device can be equipped with a removable functional remote cartridge.

AVATAR 2.0 is designed for self-defense, for arming employees of private security companies, for ensuring the personal safety of flight attendants, postmen, etc.

AVATAR 2.0 is a small and lightweight electroshock weapon that is convenient for everyday use.

You do not need to obtain a license to purchase the stun gun AVATAR, you only need to show your passport.



ELECTROSHOCK DEVICE AVATAR DK.111

Electroshock device AVATAR DK.111 has the 1st - highest - efficiency class according to GOST R 50940-96 "Electroshock devices. General technical conditions". It has the maximum allowed parameters of output voltage and power of influence for effective self-defense in any conditions.

AVATAR is a modern remote-contact electroshock self-defense weapon from a Russian manufacturer.

AVATAR has a certificate of compliance with GOST R 50940-96. Due to the modern technology used in the device and its robust construction, stun gun AVATAR is an ideal choice for those who are looking for a reliable means of self-defense.

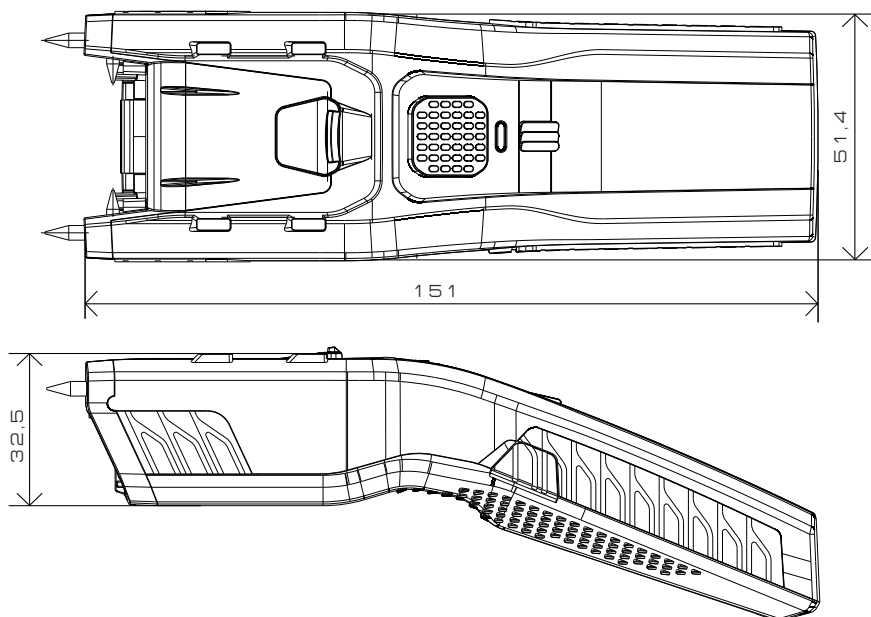


ELECTROSHOCK DEVICE AVATAR DK.111

TECHNICAL CHARACTERISTICS

Outcome voltage on the electrodes, kV	90
Power of influence, W, not less than	3
Weight, kg	0,2
Dimensions Length-x-Height-x-Width, mm	151x51,4x32,5
Climate conditions: operates in temperature range from -15 °C to +50 °C and relative humidity up to 98% at +25°C	
Distance between control electrodes, mm	21,5
Distance between combat electrodes, mm	40
Cycles of operation with a fully charged battery	80
Length of combat electrodes, mm	8
Battery: 11,1 V, 600 mAh, LiPOL accumulator battery	
Shot distance, m	5
Test cycles with the fully charged battery, not less than	250
Charging cycles of the battery, not less than	500

TECHNICAL DRAWING



ELECTROSHOCK DEVICE AVATAR DK.111

SPECIFICS OF USE IN CONTACT MODE

Stun gun AVATAR DK.111 affects the nervous system of the object with high-voltage electrical impulses.

AVATAR 2.0 generates high voltage current pulses that cause the neuromuscular blockade (incapacitation). The energy is transmitted from the device to the object in the form of special impulses that block sensory and motor nerves.



Neuromuscular blockade is effective for offenders with a high pain threshold (drug users, people under severe stress or trained opponents). Electric impact of AVATAR 2.0 allows to achieve control over the actions of the offender, depriving them of the opportunity to consciously interrupt the impact or to resist the use of the weapon.

Use of the stungun for its intended purpose does not pose a danger to the body`s vital functions.

The strength of the stopping and disorienting effect depends on the area of exposure, the time of exposure, as well as the condition of the attacker.

The small size of AVATAR 2.0 allows to use it unexpectedly for an attacker.

ELECTROSHOCK DEVICE AVATAR DK.111

SPECIFICS OF USE IN REMOTE MODE

Remote cartridge for stungun AVATAR is made for remote electroshock influence on an object.



The maximum range of the cartridge reaches 5 meters, which allows the operator to maintain a safe distance from the aggressor during a dangerous situation.

Installation and removal of the cartridge is simple and allows to quickly prepare the device for remote use or remove the used cartridge to apply the stungun in the contact mode against the target after firing a shot.

The minimum distance for safe use is 1 meter.



ELECTROSHOCK DEVICE

AVATAR DK.111

SPECIFICS OF CONSTRUCTION

Stun gun AVATAR DK.111 is structurally made in a shock-resistant housing and includes a safety switch to prevent accidental triggering, a cartridge lock, control electrodes to check the operability of the device and sharp combat electrodes. It is possible to safely carry the stun gun on a wrist belt.

AVATAR 2.0 is a compact stun gun that can be carried in a pocket, bag or on a belt in a case. The device has an ergonomically curved shape. The curved shape and the open sight on its high-voltage part make it easier to aim when using the stun gun remotely.

The standard set includes a protective cover for the combat electrodes, which protects the mechanism for attaching the remote cartridge and covers sharp combat electrodes.

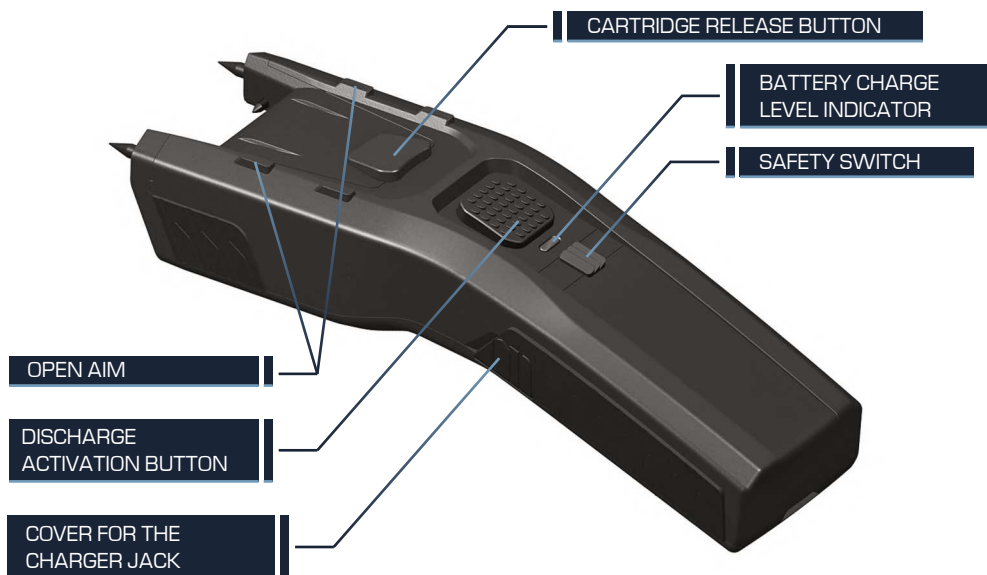
AVATAR 2.0 has a powerful built-in lithium polymer battery.

The bottom side of the device has a textured surface for the more confident grip.



ELECTROSHOCK DEVICE AVATAR DK.111

LAYOUT OF CONTROL ELEMENTS



Safety switch protects the stungun AVATAR from accidental activation. Safety switch must be pushed to the left to unlock the electroshock device.

The charge level of the accumulator battery is displayed with an LED indicator. When the safety switch is turned off the LED indicator will light up according to the battery charge level. If the indicator color is green – the battery is charged, operation of the device is allowed. If the indicator color is red – it is necessary to charge the battery.

The discharge activation button is made from silicone with anti-slip texture, which allows to confidently use the stungun in difficult situations.

An open sight in the form of projections coinciding with the line of sight is located on the upper surface of the stungun.

ELECTROSHOCK DEVICE AVATAR DK.111

USAGE AND WEAR

Belt case for AVATAR DK.111 is designed for carrying and storage of the stungun AVATAR DK.111 on the belt.

It is possible to wear the stungun AVATAR in a belt case with or without a protective cover for combat electrodes.

The case protects the device from mechanical damage and from accidentally turning off the safety switch, provides quick access to the stungun.

Convenient mounting on the belt.

Made of genuine leather.



Belt case for remote cartridges for the stungun AVATAR DK.111 (for 2 cartridges) is designed for storing and carrying of two remote cartridges.

It is recommended to store cartridges with the lock in the downwards direction.

Convenient mounting on the belt.

Made of genuine leather.



ELECTROSHOCK DEVICE AVATAR DK.111

STANDARD SET

- Stun gun AVATAR DK.111 - 1 pc;
- Protective cover for combat electrodes - 1 pc;
- Charger - 1 pc;
- Wrist belt - 1 pc;
- User`s manual (with warranty card and passport) - 1 pc;
- Packaging - 1 pc.

Additional equipment

- Remote cartridge;
- Belt case for AVATAR DK.111;
- Belt case for AVATAR DK.111 cartridges (for 2 cartridges).



ABOUT THE COMPANY

OBERON-ALPHA - is a Russian developer and manufacturer of non-lethal police tasers and civilian stun guns for self-defense.

OBERON-ALPHA company specializes in development, production and sale of class A special equipment for the police, as well as civilian electric self-defense weapons - powerful Class 1 electroshock devices.

OBERON-ALPHA offers:

- Development and production of Class A electroshock devices for the police and legal entities with special statutory tasks.
- Development of police special equipment (including custom-made).
- Development and production of civilian electroshock devices (tasers).
- Development and installation of protective high-voltage barriers.
- Production of smoke cartridges (signal colour smoke cartridges).
- Engineering services for design of goods of any complexity according to the order.

ZAO «OBERON-ALPHA»
Russia, Moscow

<https://oberon-alpha.ru/>
<https://npp-oberon.ru/>