

PIVT



OBERON-ALPHA

PYROTECHNIC IMITATOR OF A TANK SHOT



PYROTECHNIC IMITATOR OF A TANK SHOT

PIVT

PURPOSE

Pyrotechnic imitator of a tank shot (PIVT) is designed for pyrotechnic imitation of the flash and sound of a 125 mm tank gun shot. The product provides 22 rounds of ammunition without reloading to simulate the flash and the sound of a tank shot.

PIVT is intended for use during exercises of the troops of the Russian Army for a visual demonstration of the course of the battle.

Using PIVT simplifies the organization and reduces costs when conducting exercises.

The system consists of:

- Pyrotechnic imitator of a tank shot (PIVT);
- A 22-round PIVT magazine;
- PSSH-1 flashbang cartridges.



Launcher equipped with a magazine. The magazine contains 22 PSSH-1 flashbang cartridges.

PYROTECHNIC IMITATOR OF A TANK SHOT

PSSH-1 FLASHBANG CARTRIDGE

TECHNICAL CHARACTERISTICS

Dimensions, mm

Ø45x133

Weight, kg

0,22±0,01

Average service life, years, not less

15

PURPOSE

Flashbang cartridge PSH-1 is designed to simulate a tank shot. The product is triggered, providing a visual and sound imitation of the shot.

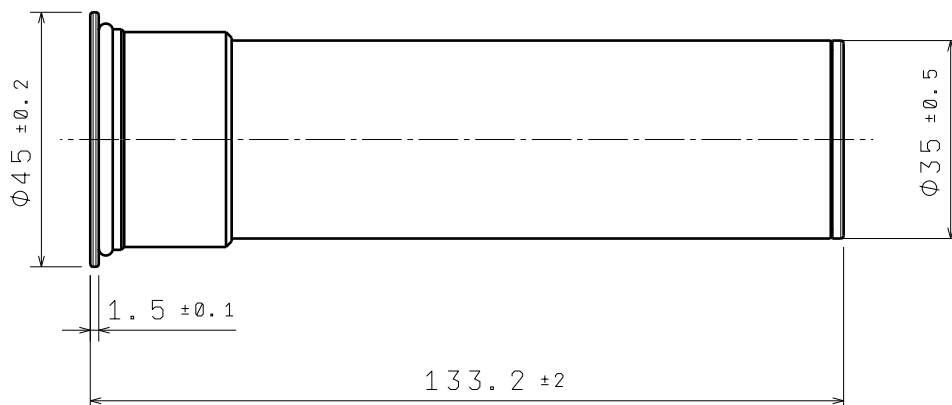
22 PSH-1 cartridges are installed in the PIVT magazine.

CONSTRUCTION

PSH-1 cartridge has an electrical initiation. The product is equipped with a gas generator, an obturator, a photo mixture. The front section of the cartridge is closed with a sealed plug. The bottom has a sealing ring.



TECHNICAL DRAWING



PYROTECHNIC IMITATOR OF A TANK SHOT

PSSH-1 FLASHBANG CARTRIDGE

OPERATION

When electric current is applied to the electrical contacts of the cartridge, the initiator is triggered, which ignites the suspension of the gas generator. The gases formed as a result of the combustion create high pressure, which opens the sealing in the gas generator. The pressure pushes the plug and photo mixture out of the cartridge, which is dispersed in the air and ignited by the flame force formed by the gas generator. This creates a sharp sound, and the burning photo mixture forms a bright flash.



PYROTECHNIC IMITATOR OF A TANK SHOT

PIVT MAGAZINE

TECHNICAL CHARACTERISTICS

Dimensions, mm	449x331x143
Weight (with nuts and chamber plugs), kg	11,9±0,2
Average service life of the product, years, not less than	15



PIVT magazine, top view

PURPOSE

The magazine is designed to work as part of PIVT system, it allows positioning the PSSH-1 flashbangs cartridges on the contact field of the launcher. The magazine allows to quickly recharge the launcher.



PIVT magazine, bottom view

PYROTECHNIC IMITATOR OF A TANK SHOT

PIVT MAGAZINE

CONSTRUCTION

The magazine consists of a case on which a reinforcing plate is mounted, chambers are installed into the case and are closed with chamber plugs. On the back side, the chamber has a nut designed to fix the PSSH-1 cartridge and to connect the electrical contact to the bottom of the cartridge.

The magazine is equipped with a pull handle designed for carrying, as well as two side handles designed for mounting the magazine on the PIVT launcher.

To install the magazine, it is necessary to open the locking handle on the front of the launcher, fully open the clamping handle and place the magazine in the installation with the push handle back. The locking handle allows you to install the magazine hermetically onto the PIVT launcher.

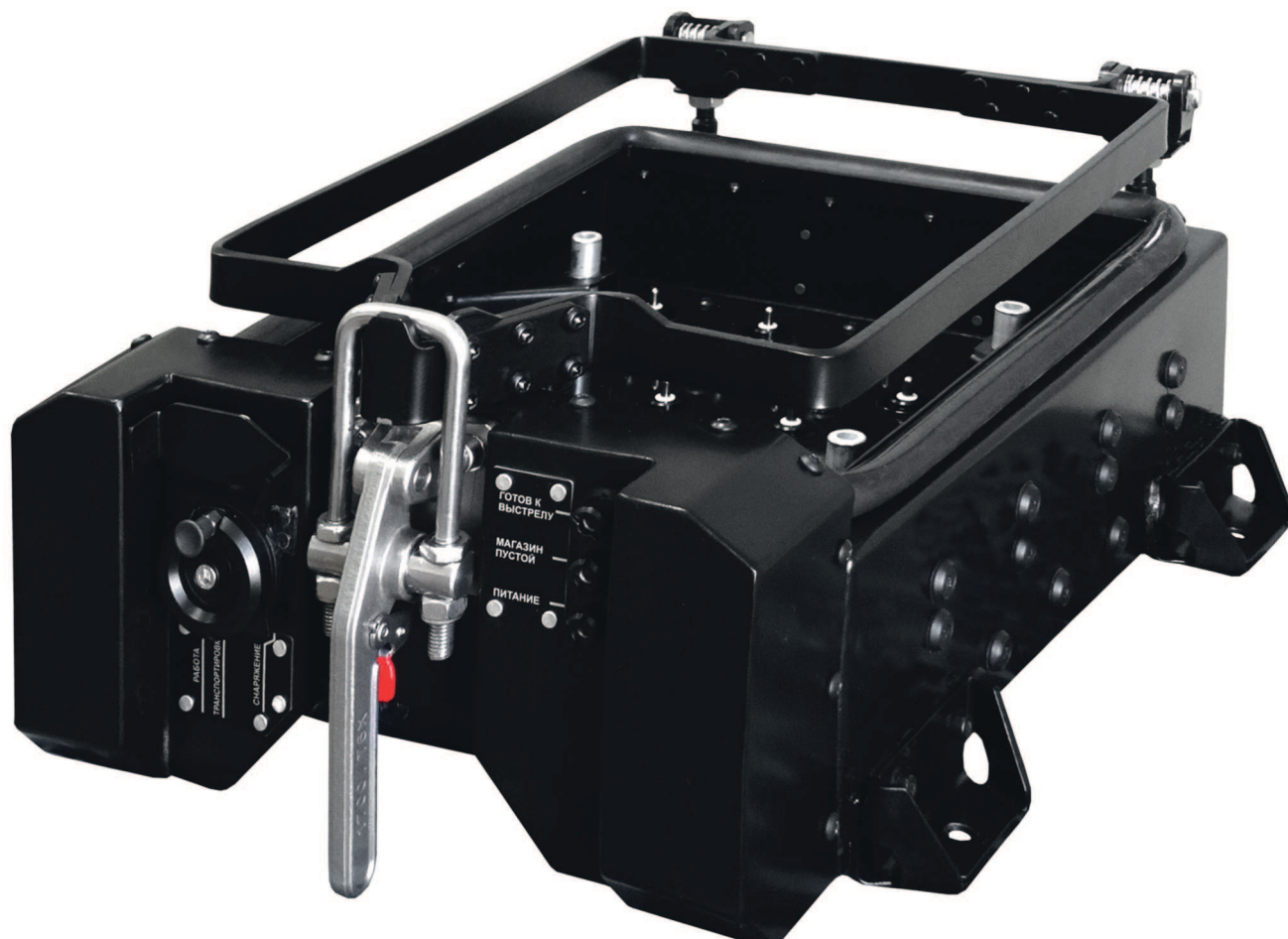


PYROTECHNIC IMITATOR OF A TANK SHOT

PIVT LAUNCHER

PURPOSE

The launcher is designed to fix and position the PIVT magazine and the PSSH-1 flashbang cartridges installed in it. The magazine is fixed in the launcher with a clamp handle. The launcher provides the output of signals for the initiation of cartridges in accordance with the control algorithm.



PIVT launcher

PYROTECHNIC IMITATOR OF A TANK SHOT

LAUNCHER PIVT

ТЕХНИЧЕСКИЕ ХАРАКТЕРИСТИКИ

Габаритный размер, мм	521x381x235
Масса изделия, кг	14,1±0,2
Средний срок службы изделия, лет, не менее	15
Изделие сохраняет работоспособность при температуре окружающего воздуха от -40 до +50°C.	
Изделие сохраняет работоспособность в воздушной атмосфере с повышенной влажностью 30% при температуре +20°C.	

CONSTRUCTION

The PIVT magazine is fixed in the launcher with a clamp handle.

There are 22 contact groups at the bottom of the installation.

On the front of the unit there is a mode switch handle and an indication panel.

Operating modes of the system:

- "Equipment";
- "Transportation";
- "Operation".

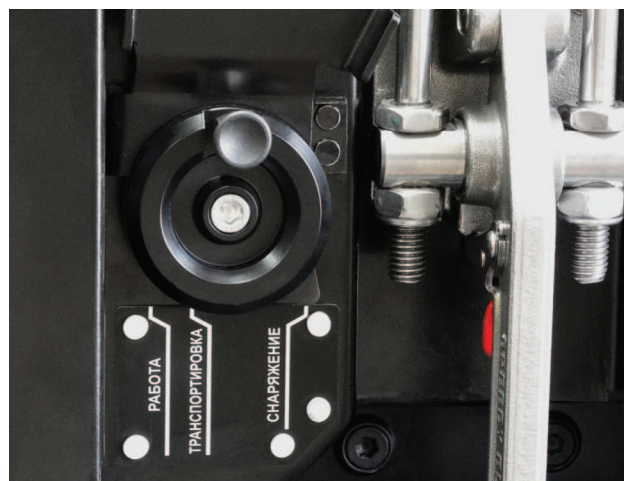
In the mode of "Transportation" and "Operation", the clamp handle cannot be opened.

SYSTEM INDICATION

"READY TO FIRE": lights up in the "Work" mode and informs about the readiness of one of the cartridges to fire;

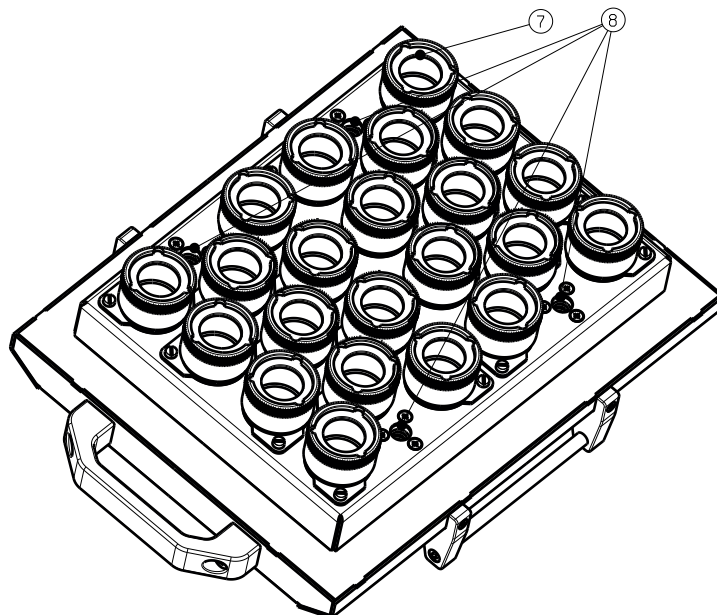
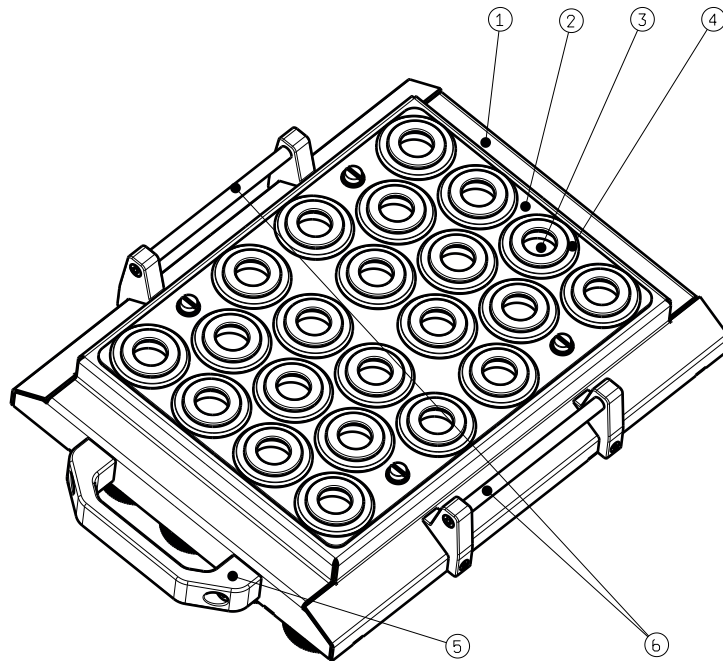
"MAGAZINE IS EMPTY": lights up in the "Work" mode and informs about the absence of ready-to-fire cartridges in the magazine. The reason for this may be the initiation of all loaded cartridges, or the lack of contact with cartridges;

"POWER": lights up in the "Operation" mode and informs that the system is ready for operation.



PYROTECHNIC IMITATOR OF A TANK SHOT

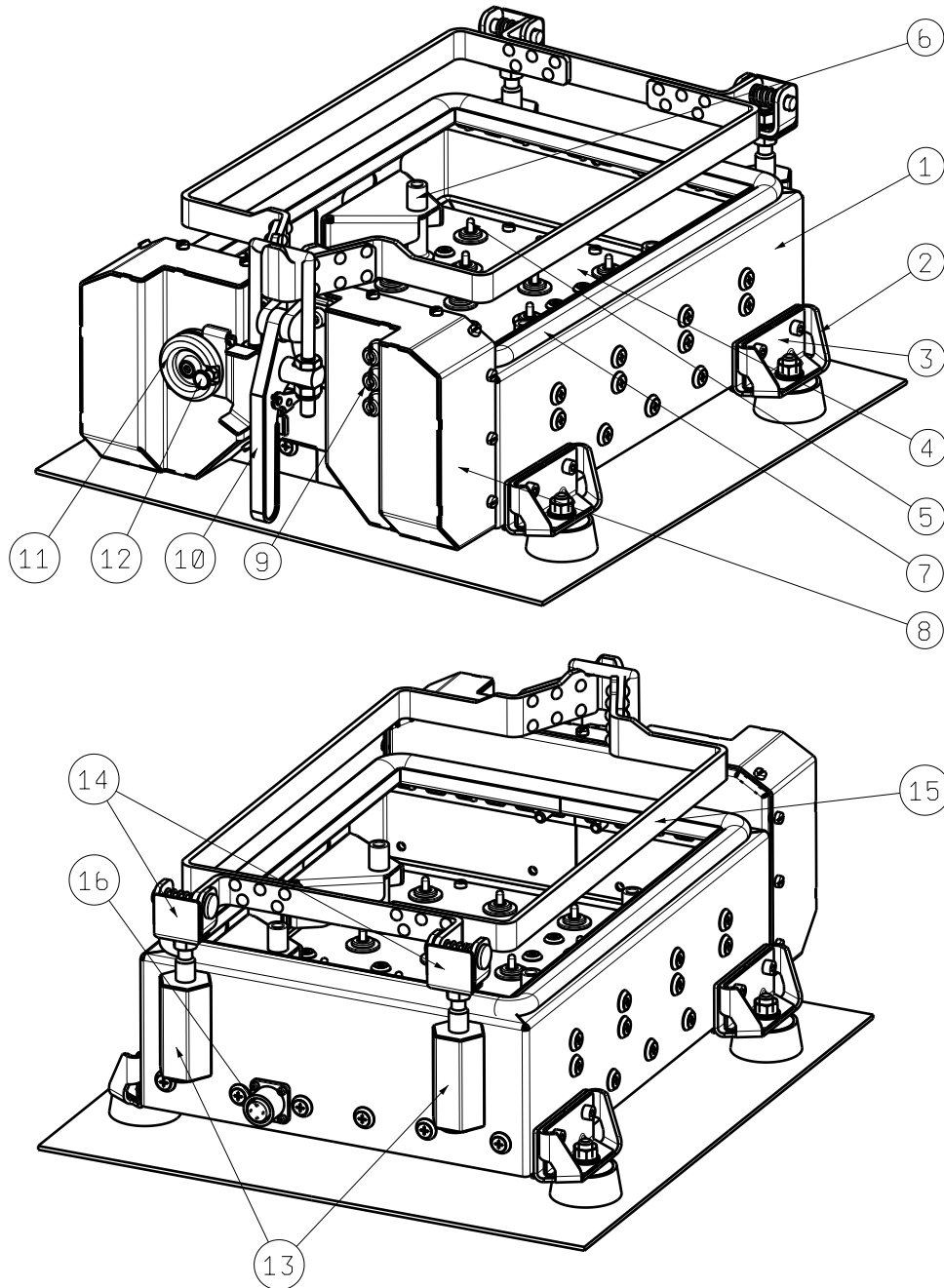
MAGAZINE PIVT Assembly drawing



- 1 – housing;
- 2 – plate;
- 3 – chamber plug;
- 4 – chamber;
- 5 – pull handle;
- 6 – side handle;
- 7 – chamber nut;
- 8 – nest.

PYROTECHNIC IMITATOR OF A TANK SHOT

LAUCHER PIVT Assembly drawing



1 – main housing;
2 – mounting leg;
3 – reinforcement plate;
4 – contact field;
5 – contact;
6 – support;
7 – sealer;
8 – front housing;

9 – group of indicators;
10 – locking handle;
11 – switch lever;
12 – position lock;
13 – clamping handle support;
14 – stop;
15 – clamping handle;
16 – connector.



OBERON-ALPHA

ABOUT THE COMPANY

OBERON-ALPHA - is a Russian developer and manufacturer of non-lethal police tasers and civilian stun guns for self-defense.

OBERON-ALPHA company specializes in development, production and sale of class A special equipment for the police, as well as civilian electric self-defense weapons - powerful Class 1 electroshock devices.

OBERON-ALPHA offers:

- Development and production of Class A electroshock devices for the police and legal entities with special statutory tasks.
- Development of police special equipment (including custom-made).
- Development and production of civilian electroshock devices (stunguns).
- Development and installation of protective high-voltage barriers.
- Production of smoke cartridges (signal colour smoke cartridges).
- Engineering services for design of goods of any complexity according to the order.

**ZAO «OBERON-ALPHA»
Russia, Moscow**

<https://oberon-alpha.ru/>
<https://npp-oberon.ru/>

