



## REMOTE CARTRIDGE PLUS FOR STUN GUN ZEUS

*User`s manual*  
ALSHP. 040155.023 UM

### DESCRIPTION AND OPERATION

#### Purpose

Remote cartridge plus (KD+) for stun gun ZEUS is intended for remote electroshock influence.

#### Technical characteristics

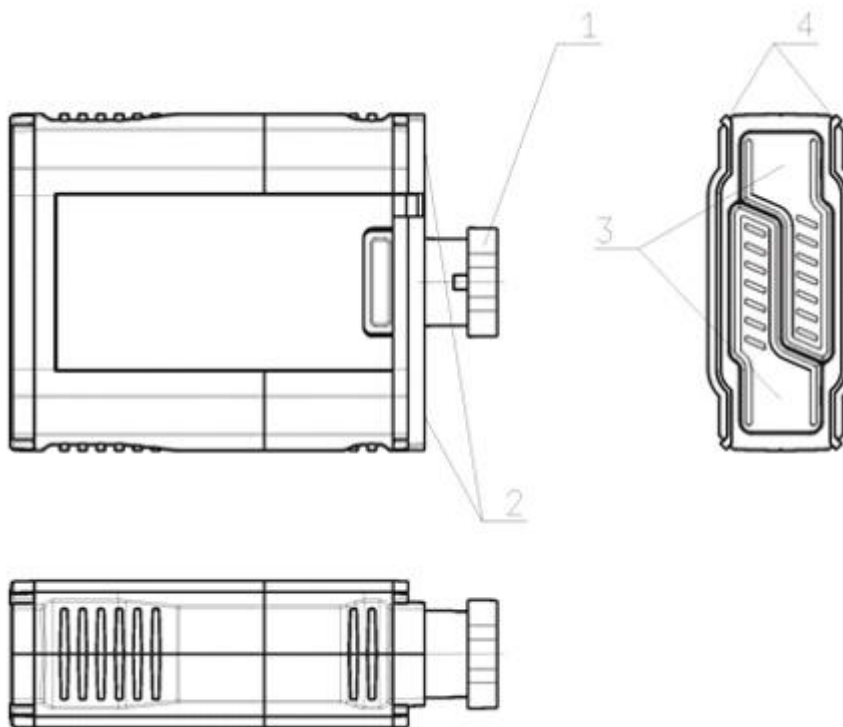
-Dimensions, mm	67,0 x 46,8 x 20
-Weight, kg	0,06 ( $\pm 0,003$ )
-Maximum distance of electroshock influence transportation, m model "RC+"	5( $\pm 0,2$ ) and following the aim for the distance up to 10( $\pm 0,2$ )
-Durability, years	5
-Probe needle material	Steel with covering (gold)
-Climate conditions resistance: operates in the temperature range from $-20C$ to $+50 C$ and relative humidity up to 98% in the temperature $+25C$	

#### Construction

Remote cartridge is made in shock-resistant case and is composed of:

- bayonet mount (1), fixation element that allows setting it on remote-contact electroshock devices, executed as spring-supported pin. Construction of bayonet mount of flexible geometry allows setting the cartridge in the slot with rotational or translational motion;
- contact bases (2) that come in high voltage contact with the stun gun`s electrodes for cartridge initiation;
- stopper plugs (3) that close booster channels and the wire, laid in individual sections;
- aiming line (4) (for some stun gun models);

Two probes are located in the boosting channels; center of gravity is moved forward to provide a stable fixation on the target for needles with hitches. The probes are placed in the individual speeding up channels, have plastic feathering and a bracket for the connection of the probe with a wire. The wire is laid in the individual sections.



#### Operation

Remote cartridge is intended for exploitation on remote-contact stun guns according to their User`s manual. Cartridges are initiated due to the high-voltage energy between the electrodes of the stun gun.

If the initiation and application rules are followed, remote cartridge is safe for the influenced object`s life and health.

ATTENTION! DO NOT REPAIR. CANNOT BE DISASSEMBLED.

ATTENTION! FOLLOW PRECAUTIONARY MEASURES. WHEN LOADING/UNLOADING THE CARTRIDGE, AIM IT AWAY FROM YOURSELF.

ATTENTION! TURN THE SAFETY ON WHEN LOADING/UNLOADING THE CARTRIDGE.

REMOTE CARTRIDGE IS DISPOSABLE AND CAN'T BE REESTABLISHED AFTER INITIATION.

DO NOT APPLY IN THE HEAD.

## APPLICATION

### Loading

Preparing the cartridge for loading:

1. Turn the stun gun safety ON.
2. Install the cartridge's bayonet pin in the stun guns according to the User's manual for stun gun. Stun gun with an installed cartridge should be carried in protective case to avoid damaging the membrane.

### Initiation

1. Aim working electrodes of the cartridge in the needed direction.
2. Turn the stun gun safety OFF.
3. AIMING. For short distances of application (up to 3m.) one can aim intuitively. For more accurate aiming use "aiming line" of the cartridge (for some stun gun models) or laser aiming module of electroshock device.

Cartridge doesn't have an adjustable sight, therefore when aiming take into account that the probes flight trajectory isn't rectilinear.

Press the button of electroshock discharger activation.

ATTENTION! MINIMAL SAFE DISTANCE OF SAFE APPLICATION – 1 METER.

5. In case of full wire ripping after initiation, the object can be influenced with the cartridge's own group of working electrodes. Apply the stun gun according to its User's manual.

### Unloading

1. Turn the stun gun safety ON.
2. Take the cartridge bayonet pin out of the stun gun slot according to its User's manual.

## SAFETY MEASURE

1. KEEP THE MEMBRANE INTACT DURING STORAGE AND EXPLOITATION.
2. MINIMAL DISTANCE OF SAFE APPLICATION – 1 METER.
3. WHEN LOADING/UNLOADING THE CARTRIDGE, AIM IT AWAY FROM YOURSELF.
4. TURN THE SAFETY ON WHEN LOADING/UNLOADING THE CARTRIDGE.
5. KEEP AWAY FROM FIRE.
6. KEEP OUT OF THE REACH OF CHILDREN.

## TRANSPORTATION AND STORAGE

Transportation and storage are possible in conditions that comply with group 2 of GOST 15150, in range of temperatures from -20 °C to +50 °C –climatic factors.

Cartridges can be transported by all means of transport if the conditions in group "C" GOST 51908 –mechanic factors.

## UTILIZATION

The owner can utilize the cartridge on his own:

1. Turn the stun gun safety ON.
2. Install the cartridge's bayonet pin on the stun gun slot according to its User's manual.
3. Aim the cartridge (working electrodes) in the safe direction.
4. Turn the safety OFF.
5. Press the button of electroshock discharger activation.

Utilization can be made by manufacturer.

## DELIVERY SET

1. Remote cartridge ALSHP. 040155.023 TU
2. User's manual ALSHP. 040155.023 UM
3. Packaging

## GUARANTEE

Manufacturer guarantees the accordance of the product to the set characteristics if the user follows the exploitation rules set in this User's manual.

Guarantee storage time – 5 years.