



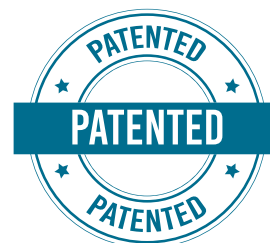
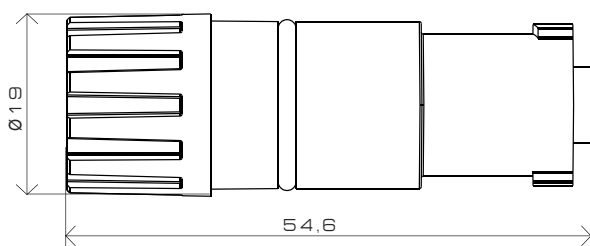
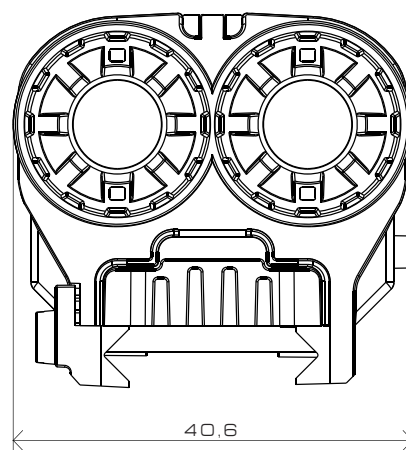
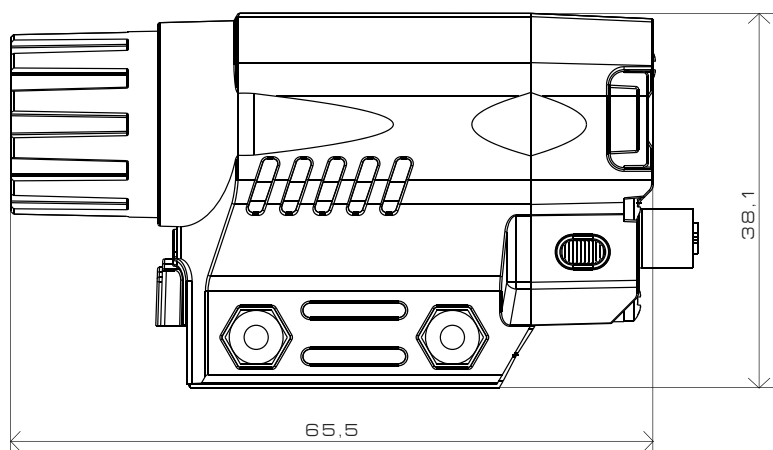
WEAPON MODULE MO-18

for civilian and
service weapons

MODULE "MO-18"

TECHNICAL CHARACTERISTICS

- Dimensions, mm	65,5x40,6x38,1
- Weight, kg	0,15
- Battery (replacable)	4xLR44
- Operates in the temperature range from -15C to +50C and relative humidity up to 98% at +25C	
- Indication of battery condition	yes
- Indication of operational readiness of the cartridges	yes
- Open sight	yes
- Jack for the external activation button	yes



PACKAGE SET

- Module MO-18 – 1 pc;
- Flashbang cartridge – 2 pcs;
- Battery LR-44 – 4 pcs;
- User's manual (with guarantee card and passport) – 1 pc;
- Package – 1 pc.

PURPOSE



Weapon module MO-18 is used to extend functionality and efficiency of civilian and service weapons, equipped with Picatinny mounting rail.

Module is equipped with special replaceable cartridges. Available types of cartridges: flash-bang, aerosol and marker.

Module MO-18 is developed by ZAO "OBERON-ALPHA" - leading Russian producer of electroshock devices and police special means.

CONSTRUCTION SPECIFICS

Module contains:

- safety fuse;
- open sight;
- indication of battery condition;
- power supply (4 batteries LR44);
- external activation button (additional set).

Module is water-resistant and can be used in all weather conditions.



MODULE "MO-18"

APPLICATION SPECIFICS

The module has two removable cartridges:

Flashbang cartridge is intended for psycho-physical influence (stunning, blinding, disorienting) on an offender.

Aerosol cartridge is intended for spraying a target with aerosol containing irritating agent.

Marker cartridge contains hard-to-remove paint and is intended for marking offenders during public events in order to detain them later.

Cartridges are initiated by pressing the button on the module or by pressing external activation button. Module has a jack for the external activation button, which increases operational comfort.



ADVANTAGES OF WEAPON MODULE

- Versatility. Module can be mounted on Picatinny mounting rail on any type of weapon;
- Increases operator`s safety. Absence of physical contact with an offender doesn`t allow him to use force or melee weapons.
- Allows applying the necessary means depending on the situation and degree of danger;
- Safety fuse increases the safety of operation;
- Indication of battery condition and indication of operational readiness of the cartridges increase the ease of use;
- External activation button allows placing the button in the convenient place and increasing manoeuvrability of the weapon;
- Cartridges have a universal bayonet lock;
- Open sight increases accuracy of shooting with aerosol and marker cartridges.

Module MO-18 is safe for influenced object`s life and health.

